

# BP-MF691 (05) Datasheet

MEDIUM-FLOW BACK PRESSURE REGULATOR



● Gas ● Liquid | ● Diaphragm ● Piston | Max Rating: 690 bar (10,000 psi) | Control Range: 690 bar (10,000 psi) | Cv 0.5



## INTRODUCING THE BP-MF691 (05)...

The BP-MF691 (05) is a piston-sensed medium-flow back pressure regulator for liquid applications. It includes Hastelloy® seating for excellent protection from cavitation and positive shut-off on medium-flow applications.

The BP-MF691 (05) accurately controls inlet pressures of up to 690 bar (10,000 psi) and vents excess pressure back via the threaded NPT or Medium Pressure outlet port.

## SPECIFICATION

Max. Rating	690 bar (10,000 psi)
Control Range	Up to 690 bar (10,000 psi)
Design Proof Pressure	150% max. working pressure
Seat Leakage	In accordance with ANSI/FCI 70-3
Weight	5kg (11lbs)

## STANDARD MATERIALS OF CONSTRUCTION

PART	MATERIALS
Body and Bonnet	ASTM A479 316/316L Stainless Steel (UNS S31600/S31603) or ASTM 17-4 PH Stainless Steel (UNS S17400)
Main Valve Pin	Inconel® 718 (UNS N07718)
Seat	Hastelloy® C276 (UNS N10276)
Valve Spring	Elgiloy® (UNS R30003)
Piston	ASTM A479 316/316L Stainless Steel
Handwheel	Nylon
O-Rings	NBR N70 (Nitrile Buna N) or FKM/FPM (Viton)
Loading Spring	Silicon Chrome Wire/Spring Alloy

Note: Pressure regulator rating may be limited by connection type, Cv and/or seat material. Contact the office for specific pressure or temperature requirements.

## FEATURES AND BENEFITS

### 1 PISTON SENSING ELEMENT

Perfect for use in challenging conditions.

### 2 PRECISION MACHINED SENSING ELEMENT

For accurate pressure control.

### 3 OPTIONAL AIR ACTUATOR

For fine remote adjustment.

### 4 OPTIONAL FLANGED CONNECTION

For compatibility with flanged systems.

Product availability and specifications contained herein are subject to change without notice. Consult local distributor or factory for potential revisions and/or service related issues. Pressure Tech Ltd support with product selection recommendations only - it is the users responsibility to ensure the product is suitable for their specific application requirements.



#### PRESSURE TECH LTD

Unit 24, Graphite Way, Hadfield, Glossop, Derbyshire, UK, SK13 1QH

+44 (0)1457 899 307 | [sales@pressure-tech.com](mailto:sales@pressure-tech.com) | [www.pressure-tech.com](http://www.pressure-tech.com)

DESIGNED, MANUFACTURED AND BUILT IN THE UK

© 2024 Pressure Tech Ltd. All Rights Reserved.

160824

PAGE:  
1 OF 4

# BP-MF691 (05) Datasheet

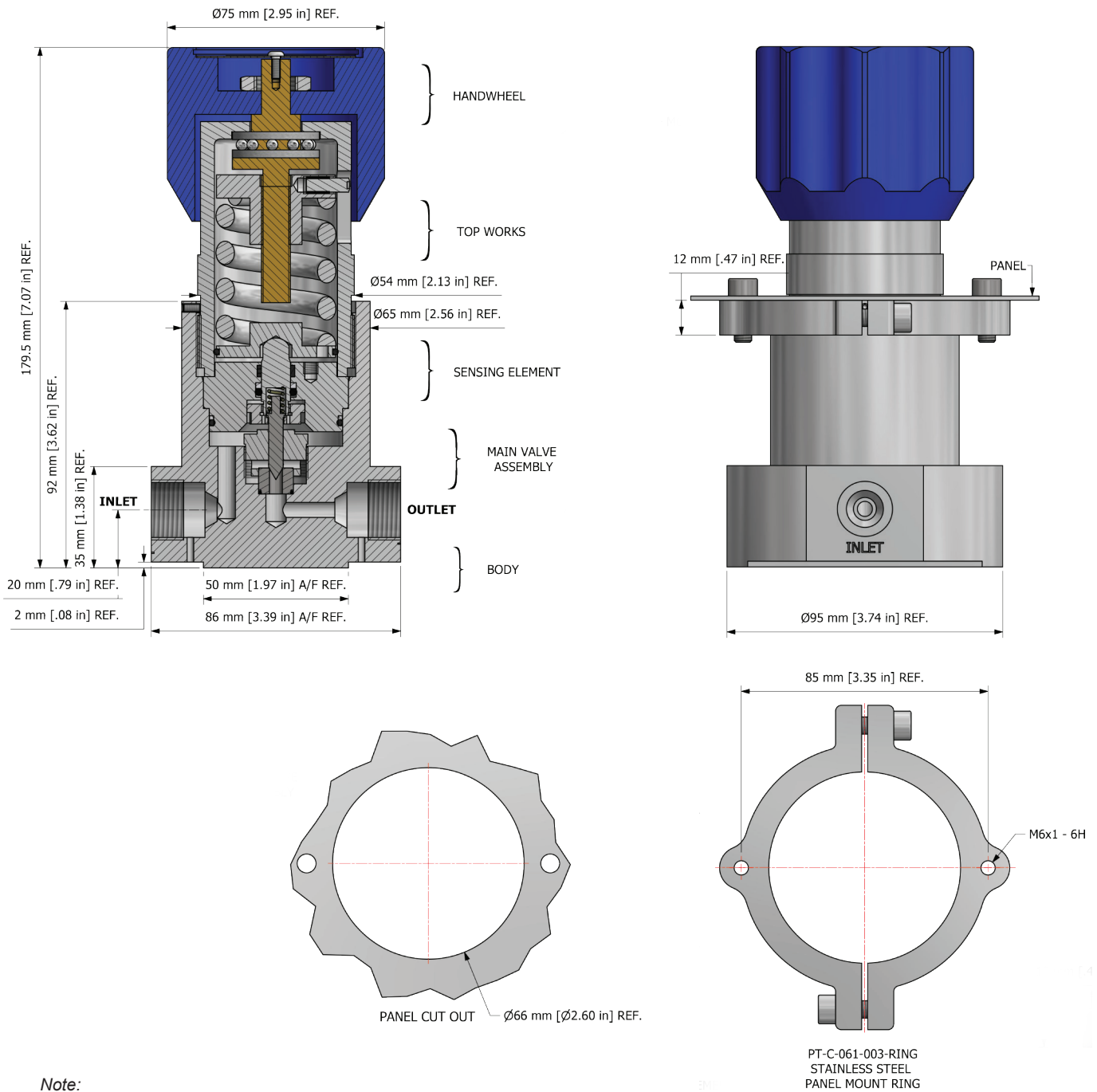
MEDIUM-FLOW BACK PRESSURE REGULATOR



● Gas ● Liquid | ● Diaphragm ● Piston | Max Rating: 690 bar (10,000 psi) | Control Range: 690 bar (10,000 psi) | Cv 0.5

## DRAWINGS AND INSTALLATION DIMENSIONS

Dimensions shown for 1/2" Medium Pressure and standard configurations only - contact the office for other options.



**Note:**  
All gauge ports are 1/4" NPT as standard.

Product availability and specifications contained herein are subject to change without notice. Consult local distributor or factory for potential revisions and/or service related issues. Pressure Tech Ltd support with product selection recommendations only - it is the users responsibility to ensure the product is suitable for their specific application requirements.



**PRESSURE TECH LTD**  
Unit 24, Graphite Way, Hadfield, Glossop, Derbyshire, UK, SK13 1QH  
+44 (0)1457 899 307 | [sales@pressure-tech.com](mailto:sales@pressure-tech.com) | [www.pressure-tech.com](http://www.pressure-tech.com)  
**DESIGNED, MANUFACTURED AND BUILT IN THE UK**  
© 2024 Pressure Tech Ltd. All Rights Reserved.

160824

PAGE:  
2 OF 4

# BP-MF691 (05) Datasheet

MEDIUM-FLOW BACK PRESSURE REGULATOR

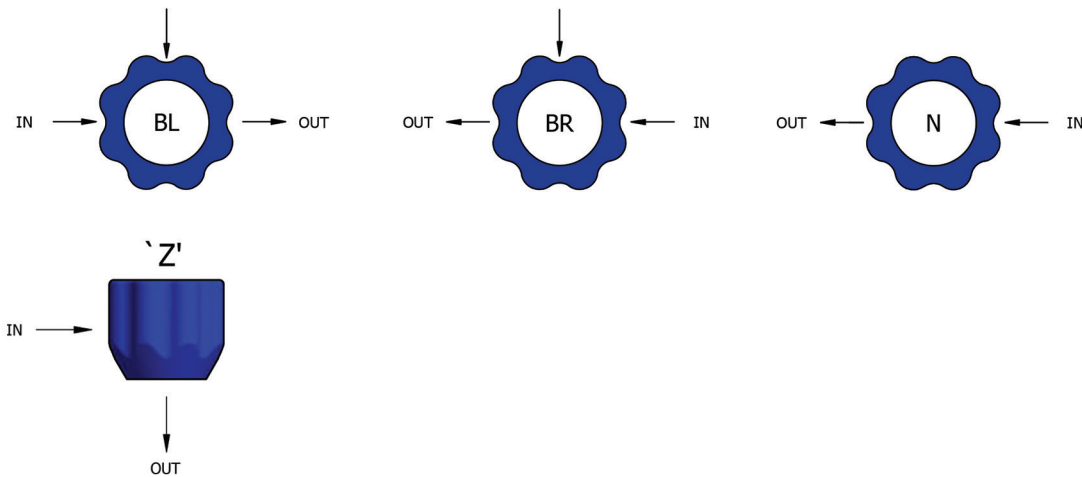


● Gas ● Liquid | ● Diaphragm ● Piston | Max Rating: 690 bar (10,000 psi) | Control Range: 690 bar (10,000 psi) | Cv 0.5

## FLOW CURVE

Please contact the office for further information.

## PORTING CONFIGURATIONS



**Note:**

Additional porting configurations are available - please contact the office for further information.

Product availability and specifications contained herein are subject to change without notice. Consult local distributor or factory for potential revisions and/or service related issues. Pressure Tech Ltd support with product selection recommendations only - it is the users responsibility to ensure the product is suitable for their specific application requirements.



**PRESSURE TECH LTD**

Unit 24, Graphite Way, Hadfield, Glossop, Derbyshire, UK, SK13 1QH  
+44 (0)1457 899 307 | [sales@pressure-tech.com](mailto:sales@pressure-tech.com) | [www.pressure-tech.com](http://www.pressure-tech.com)

**DESIGNED, MANUFACTURED AND BUILT IN THE UK**

© 2024 Pressure Tech Ltd. All Rights Reserved.

# BP-MF691 (05) Datasheet

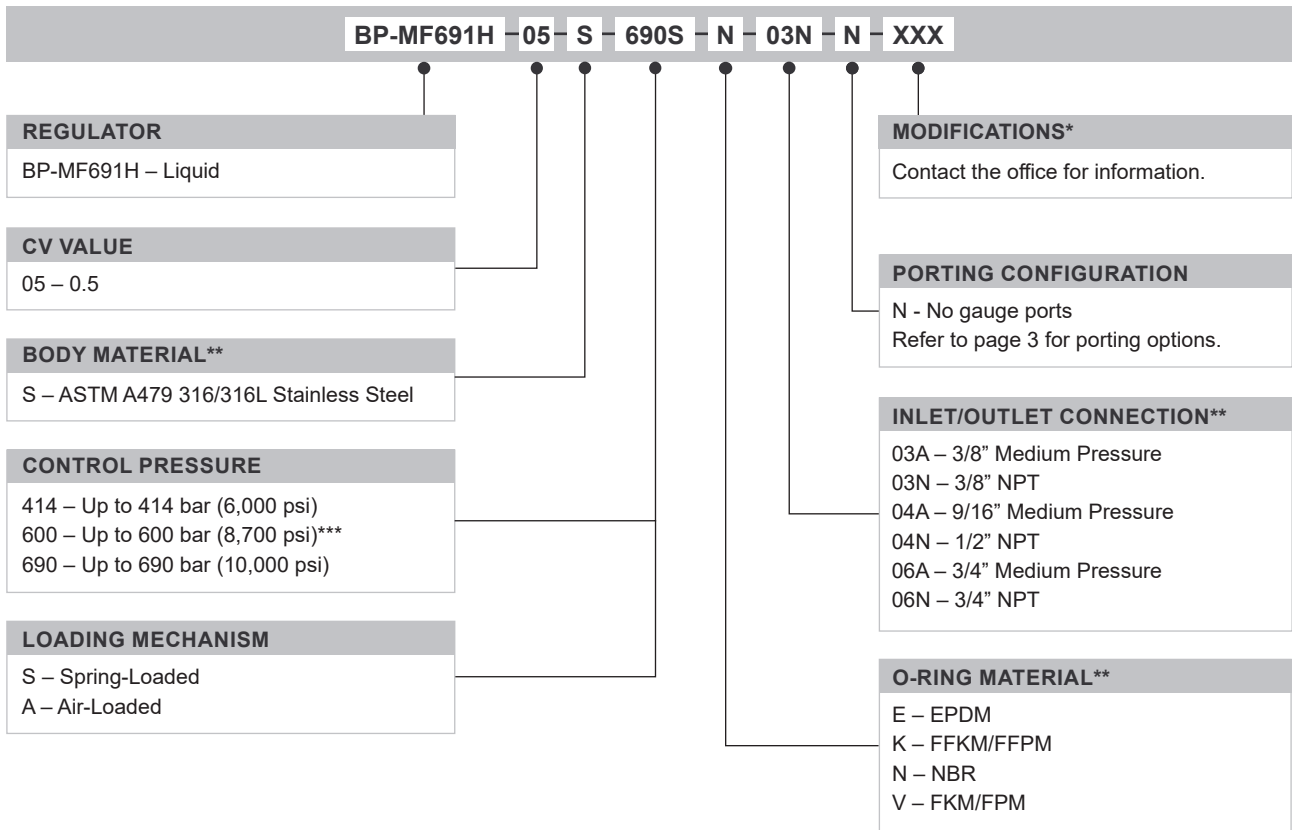
MEDIUM-FLOW BACK PRESSURE REGULATOR



● Gas ● Liquid | ● Diaphragm ● Piston | Max Rating: 690 bar (10,000 psi) | Control Range: 690 bar (10,000 psi) | Cv 0.5

## ORDERING INFORMATION

To build a Pressure Tech part number, simply combine the characters identified below in sequence:



OPTIONAL EXTRAS		
	PART NUMBER	DESCRIPTION
Service Kit	SRK-BP-MF691-05...	Various options available
Panel Mounting Ring	PT-C-061-003-RING	Panel mount ring

*Note:*  
Ancillary equipment also available

**TRADEMARK:** Elgiloy® is a registered trademark of Elgiloy Specialty Metals  
Inconel® is a registered trademark of Inco Alloys International  
Hastelloy® is a registered trademark of Haynes International, Inc

\* Where applicable  
\*\* Other materials/connections may be available  
\*\*\* Air-loaded only

Product availability and specifications contained herein are subject to change without notice. Consult local distributor or factory for potential revisions and/or service related issues.  
Pressure Tech Ltd support with product selection recommendations only - it is the users responsibility to ensure the product is suitable for their specific application requirements.



**PRESSURE TECH LTD**  
Unit 24, Graphite Way, Hadfield, Glossop, Derbyshire, UK, SK13 1QH  
+44 (0)1457 899 307 | [sales@pressure-tech.com](mailto:sales@pressure-tech.com) | [www.pressure-tech.com](http://www.pressure-tech.com)  
**DESIGNED, MANUFACTURED AND BUILT IN THE UK**  
© 2024 Pressure Tech Ltd. All Rights Reserved.

160824